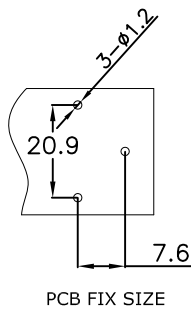
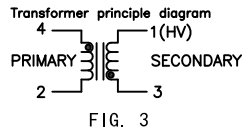
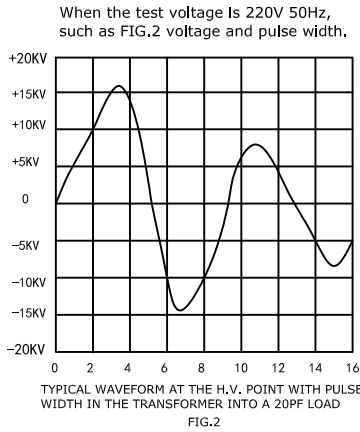
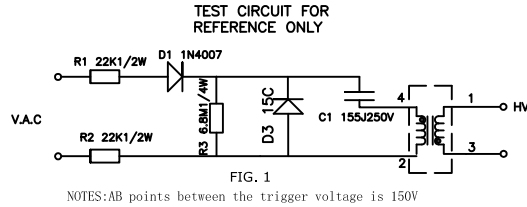
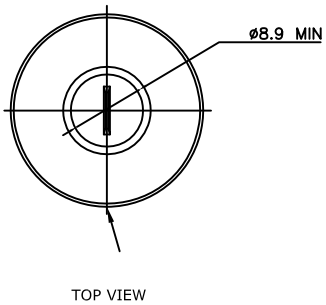
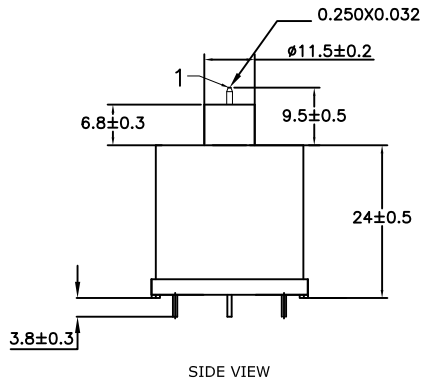
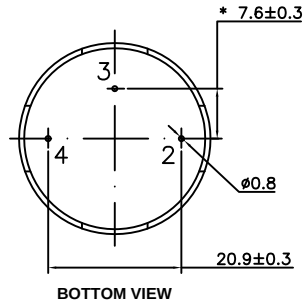


(Mark)	(Qty.)	(EC Content)	(EC Reason)	(EC No.)	(Date)	(Proposer)
△						
△						
△						

"*" as the focus control size



NOTES:

- 1.PRIMARY: 18± 1/2 TURN 1UEW-0.35;
- 2.SECONDARY: 3200 TURN 1UEW-0.06;
- 3.HYPOT 1250VAC. BETWEEN PRIMARY AND SECONDARY;
- 4.THE USE OF TEMPERATURE - 40~85 °C;
- 5.FILL MATERIAL: EPOXY,VACUUM FORMED;
- 6.PEAK PRIMARY CURRENT: 60 AMPS;
- 7.ADDITIONAL ELECTRICAL SPEC'S.(FOR REF.ONLY)
PRIMARY: 0.1 OHMS ± 30%,9.9uH ± 30%;
SECONDARY:1000 OHMS ± 30%, 230mH± 20%;
MEASURED AT 1KHz,75°F
- 8.SPARK VOLTAGE:>18KV(CL=20PF);
- 9.INSULATION RESISTANCE >100M OHMS;
- 10.OUTPUT TERMINAL BY TENSION TEST, DRAWING FORCE GREATER THAN 3kgf.cm;
- 11.OUTPUT TERMINAL WITH A TORSION TESTER,TORQUE GREATER THAN 8kgf.cm.

MAP	A4	PAGE	1	FIRST CORNER		PRODUCT	18FS-029	
UNIT	mm	SCALE	1:1			PRODUCT NO.		
GEI INC. geicomponents.com				APPOVE		MATERIAL NO.		
				CHECK		FINISH	2018.10.19	
				DESIGN	yang .zhou	DRAWING NO.		1.0